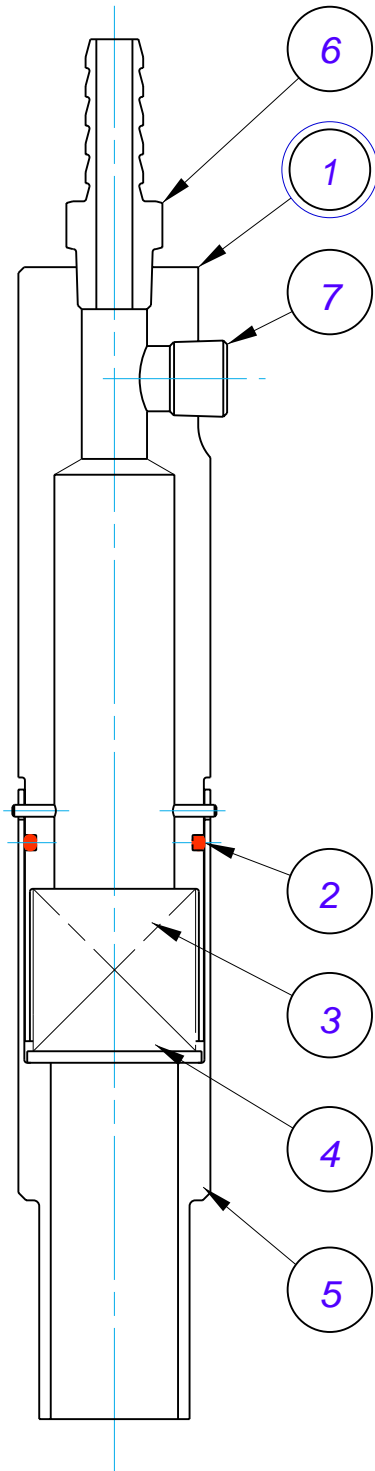


REV.	DESCRIPTION	DATE BY
-	FIRST RELEASE	12/10/07 JJR



7	2007-2A-0185	-	PIPEPLUG, 1/8 N.P.T., SOCK. HD., S.S.	1	EA.
6	2007-2A-0019	-	HOSEBARBFITTING, 1/4" X 1/8N.P.T.	1	EA.
5	3026-GC-0109	A	TIP, 10,0 CC.	1	EA.
4	3026-GC-0607-40	B	FILTER, 316L S.S. x 40 MICRON	1	EA.
3	0012-2A-0037	-	COMPRESSION SPRING, S.S., 1" LG.	1	EA.
2	0016-2A-5061	-	O-RING, SILICONE, SIZE -018	1	EA.
1	3026-GC-0605	-	BARREL ASS'Y, LONG (MODIFIED)	1	EA.
ITEM	PART NO.	REV	DESCRIPTION	QTY	UOM

KINEMATICS & CONTROLS CORPORATION

TOLERANCES (EXCEPT AS NOTED)		TITLE		JOB NO.	
		FILLING GUN... 10,0 CC. (w/316 WOVEN S.S. FILTER)		3026	
.XXX±.005 .XX±.010		MAT'L		FINAL ASS'Y	
		SEE TABLE		3026-0602	
FRACT.±.015 ANG.±1/2°		FINISH		REQ'D	NEXT ASS'Y
		N/A		N/A	3026-0602
DWN	JJR	DATE	12/10/07	SCALE	DWG. NO.
APP'D	-	DATE	-	FULL	3026-GC-0602
					REV.
					-

NOTICE!

This drawing, including all information contained hereon, is the exclusive proprietary property of Kinematics & Controls Corporation. It is disclosed with the understanding it will be retained in confidence, and will neither be duplicated or copied in whole or in part, nor used for any purpose other than that for which disclosed. This drawing is to be returned upon request.