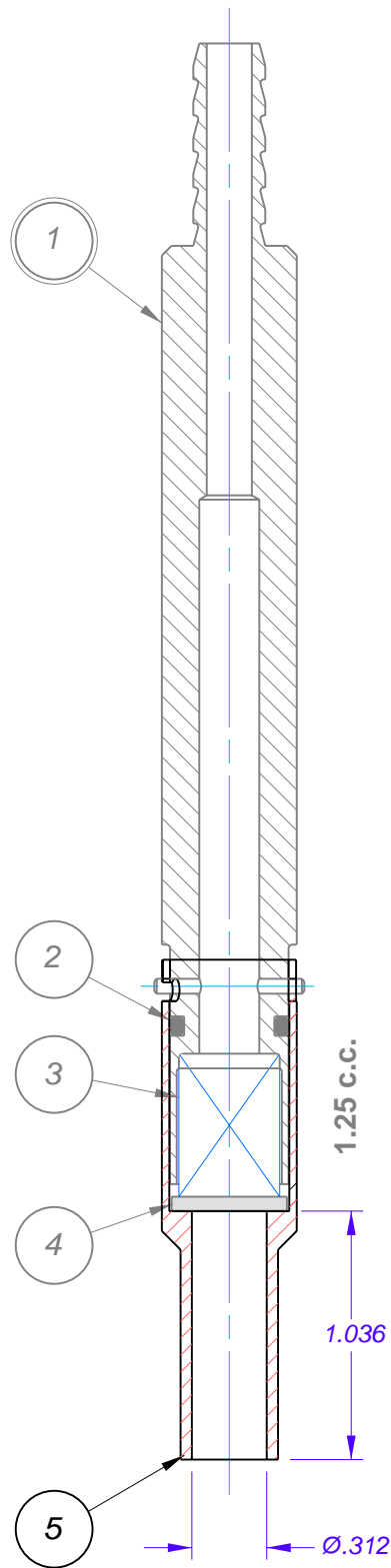


REV.	DESCRIPTION	DATE BY
------	-------------	---------



5	3026-GC-0028	A	TIP, 1.25 cc.	1	EA.
4	3026-GC-0507-40	-	FILTER, 316L S.S. x 40 MICRON	1	EA.
3	0012-2A-0033	-	COMPRESSION SPRING, S.S., 3/4" LG.	1	EA.
2	0016-2A-5013	-	O-RING, SILICONE_011 SIZE	1	EA.
1	3026-GC-0505	A	BARREL ASS'Y	1	EA.

ITEM	PART NO.	REV	DESCRIPTION	QTY	UOM
------	----------	-----	-------------	-----	-----

KINEMATICS & CONTROLS CORPORATION

TOLERANCES (EXCEPT AS NOTED)	TITLE OUTLINE DWG., TIP, 1.25 cc.	JOB NO. 3026	
.XXX±.005 .XX±.010	MAT'L 316 S.S.	FINAL ASS'Y N/A	
FRACT.±.015 ANG.±1/2°	FINISH PASSIVATE	REQ'D N/A	NEXT ASS'Y N/A
DWN JJR	DATE 2/16/18	SCALE NONE	DWG. NO. 3026-GC-0028
APP'D -	DATE -	REV. -	

NOTICE!
 This drawing, including all information contained hereon, is the exclusive proprietary property of Kinematics & Controls Corporation. It is disclosed with the understanding it will be retained in confidence, and will neither be duplicated or copied in whole or in part, nor used for any purpose other than that for which disclosed. This drawing is to be returned upon request.