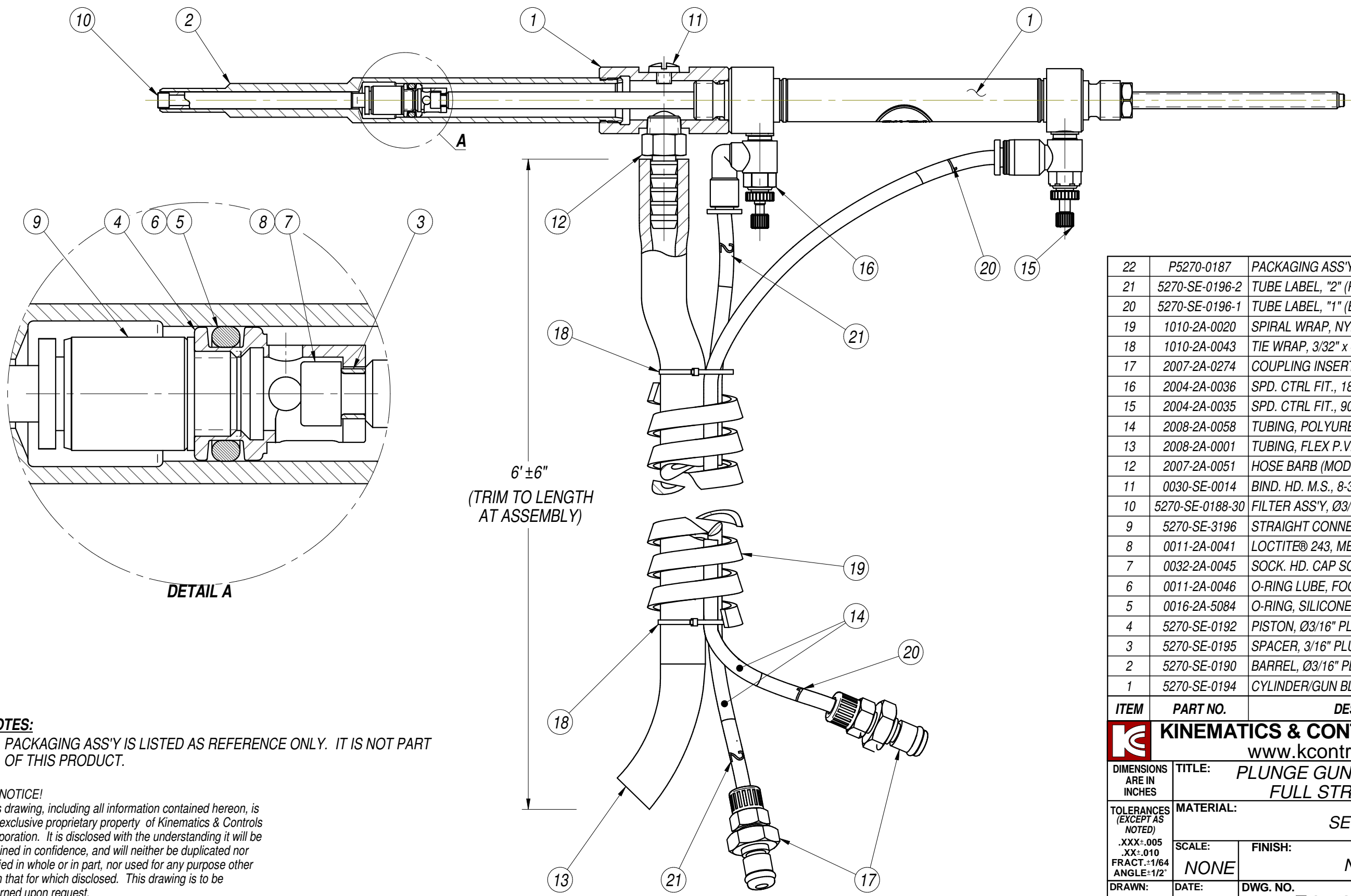


PRINTED: 12/15/2017	STATUS: Released	DWG. NO. 5270-SE-0187	SH. 1	REV. -
REVISIONS				
REV.	DESCRIPTION	DATE BY	DATE APP'D	
-	INITIAL RELEASE.	4/1/15 CIW	4/8/15 JJR	



NOTES:
 1. PACKAGING ASS'Y IS LISTED AS REFERENCE ONLY. IT IS NOT PART OF THIS PRODUCT.

⊕ NOTICE!
 This drawing, including all information contained hereon, is the exclusive proprietary property of Kinematics & Controls Corporation. It is disclosed with the understanding it will be retained in confidence, and will neither be duplicated nor copied in whole or in part, nor used for any purpose other than that for which disclosed. This drawing is to be returned upon request.

22	P5270-0187	PACKAGING ASS'Y (SEE NOTE)	1	EA.
21	5270-SE-0196-2	TUBE LABEL, "2" (RETRACT)	2	EA.
20	5270-SE-0196-1	TUBE LABEL, "1" (EXTEND)	2	EA.
19	1010-2A-0020	SPIRAL WRAP, NYLON	5.25	FT.
18	1010-2A-0043	TIE WRAP, 3/32" x 4"	2	EA.
17	2007-2A-0274	COUPLING INSERT, 1/8" x 5/32" PTF	2	EA.
16	2004-2A-0036	SPD. CTRL FIT., 180°, Ø5/32" POT x 10-32	1	EA.
15	2004-2A-0035	SPD. CTRL FIT., 90°, Ø5/32" POT x 10-32	1	EA.
14	2008-2A-0058	TUBING, POLYURETHANE, Ø5/32" O.D.	12	FT.
13	2008-2A-0001	TUBING, FLEX P.V.C., Ø1/2" OD x Ø1/4" ID	6	FT.
12	2007-2A-0051	HOSE BARB (MOD.), S.S. 1/8-27 NPT, 1/4"	1	EA.
11	0030-SE-0014	BIND. HD. M.S., 8-32 x 1/8 in. LG., S.S.	1	EA.
10	5270-SE-0188-30	FILTER ASS'Y, Ø3/16" PLUNGE GUN, 30 µM	1	EA.
9	5270-SE-3196	STRAIGHT CONNECTOR, MODIFIED	1	EA.
8	0011-2A-0041	LOCTITE® 243, MED. STRENGTH w/PRIMER	0.1	GM.
7	0032-2A-0045	SOCK. HD. CAP SCREW, 4-40UNC x 1/2" S.S.	1	EA.
6	0011-2A-0046	O-RING LUBE, FOOD GRADE SILICONE	0.02	OZ.
5	0016-2A-5084	O-RING, SILICONE, -010 SIZE	1	EA.
4	5270-SE-0192	PISTON, Ø3/16" PLUNGE GUN	1	EA.
3	5270-SE-0195	SPACER, 3/16" PLUNGE GUN	1	EA.
2	5270-SE-0190	BARREL, Ø3/16" PLUNGE GUN	1	EA.
1	5270-SE-0194	CYLINDER/GUN BLOCK ASS'Y	1	EA.

KINEMATICS & CONTROLS CORPORATION
 www.kcontrols.com

TITLE: PLUNGE GUN, Ø3/16" I.D. x 2.0" FULL STROKE, 316 S.S.

MATERIAL: SEE TABLE

SCALE: NONE **FINISH:** N/A **REQ'D:** 1

DRAWN: CIW **DATE:** 4/1/15 **DWG. NO.:** 5270-SE-0187 **REV.:** -

FINAL ASS'Y: 5270-0187
NEXT ASS'Y: 5270-0187