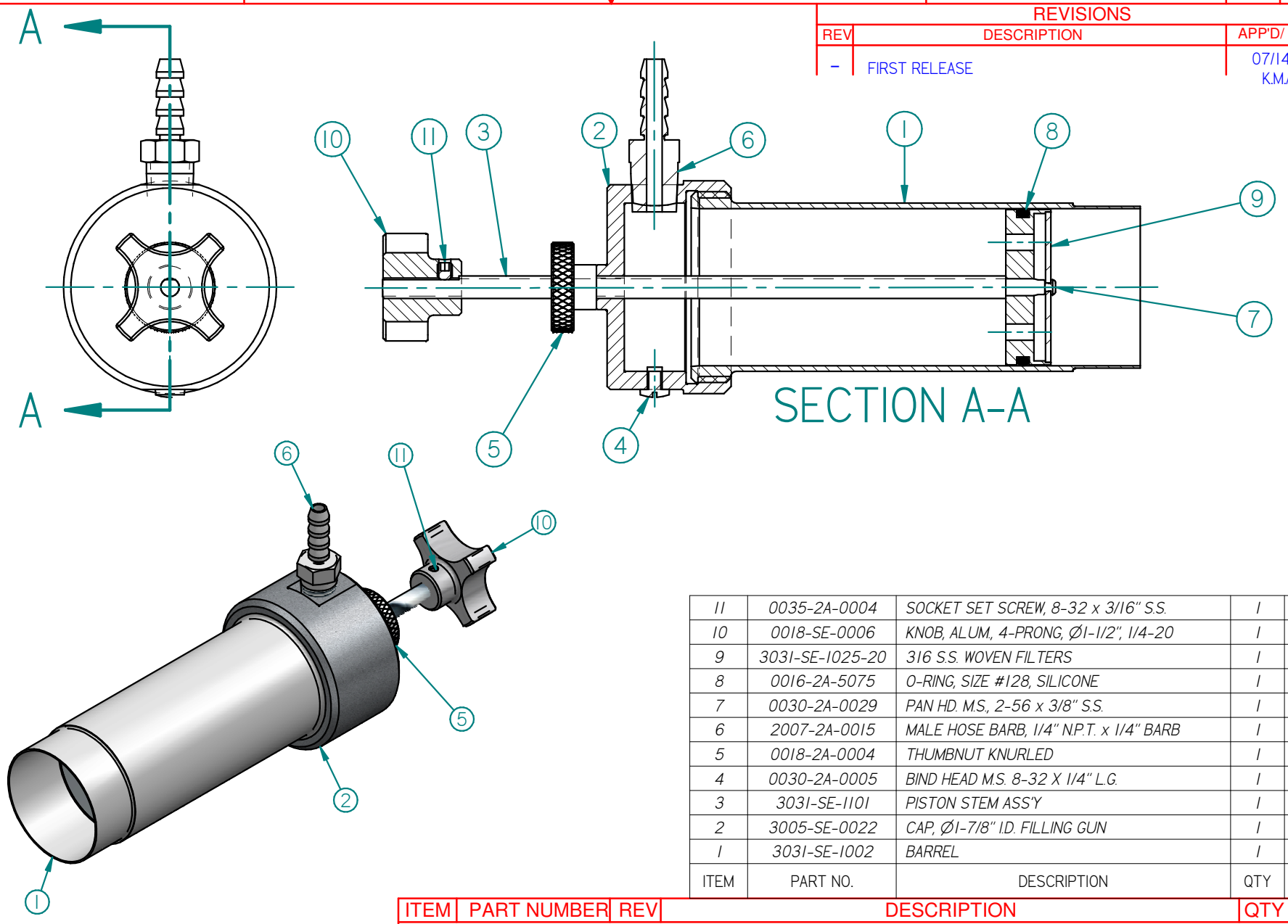


REVISIONS		
REV	DESCRIPTION	APP'D/ DATE
-	FIRST RELEASE	07/14/11 K.M.A.



11	0035-2A-0004	SOCKET SET SCREW, 8-32 x 3/16" S.S.	1	EA.
10	0018-SE-0006	KNOB, ALUM, 4-PRONG, Ø1-1/2", 1/4-20	1	EA.
9	3031-SE-1025-20	316 S.S. WOVEN FILTERS	1	EA.
8	0016-2A-5075	O-RING, SIZE #128, SILICONE	1	EA.
7	0030-2A-0029	PAN HD. M.S., 2-56 x 3/8" S.S.	1	EA.
6	2007-2A-0015	MALE HOSE BARB, 1/4" N.P.T. x 1/4" BARB	1	EA.
5	0018-2A-0004	THUMBNUIT KNURLED	1	EA.
4	0030-2A-0005	BIND HEAD M.S. 8-32 X 1/4" L.G.	1	EA.
3	3031-SE-1101	PISTON STEM ASSY	1	EA.
2	3005-SE-0022	CAP, Ø1-7/8" I.D. FILLING GUN	1	EA.
1	3031-SE-1002	BARREL	1	EA.
ITEM	PART NO.	DESCRIPTION	QTY	UOM

ITEM	PART NUMBER	REV	DESCRIPTION	QTY	UOM
------	-------------	-----	-------------	-----	-----

**LIST OF MATERIALS**

<b>FINAL ASSY</b>	TOLERANCES: EXCEPT AS NOTED		APPROVALS:	DATE:	KINEMATICS & CONTROLS CORPORATION
3031-1001	FRACTIONS: ± 1/64	DECIMALS: .XX ± .01 .XXX ± .005	DRAWN: K.M.A	12/13/2017	
<b>NEXT ASSY</b>	MATERIAL: SEE TABLE		MECHANICAL ENGR.		
3031-1001	FINISH: NONE		ELECTRICAL ENGR.		TITLE: _ FILLING GUN, Ø 1-3/4 I.D.
DO NOT SCALE DRAWING			MANUFACTURING:		DRAWING NO. <b>3031-SE-1001</b>
					REV -
					SCALE: NONE
					SHEET 1 OF 1

THIS DRAWING, INCLUDING ALL INFORMATION CONTAINED HEREON, IS THE EXCLUSIVE PROPRIETARY PROPERTY OF KINEMATICS AND CONTROLS CORPORATION. IT IS DISCLOSED WITH THE UNDERSTANDING IT WILL BE RETAINED IN CONFIDENCE, AND WILL NEITHER BE DUPLICATED NOR COPIED IN WHOLE OR IN PART, NOR USED FOR ANY PURPOSE OTHER THAN THAT FOR WHICH DISCLOSED. THIS DRAWING IS TO BE RETURNED UPON REQUEST.