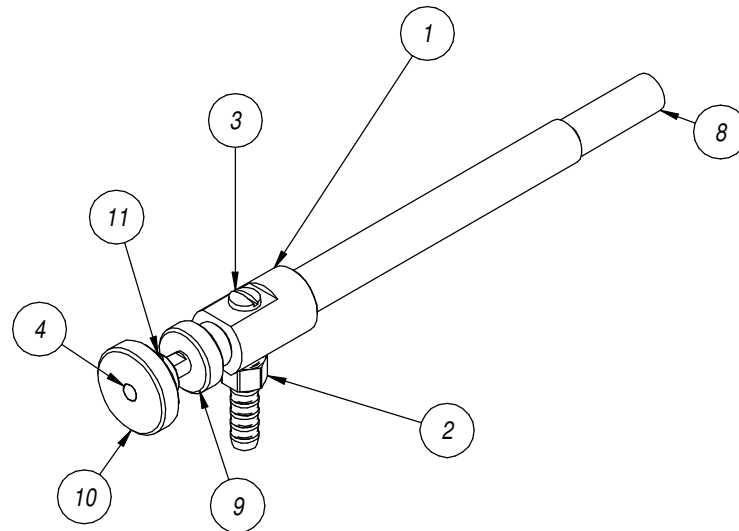
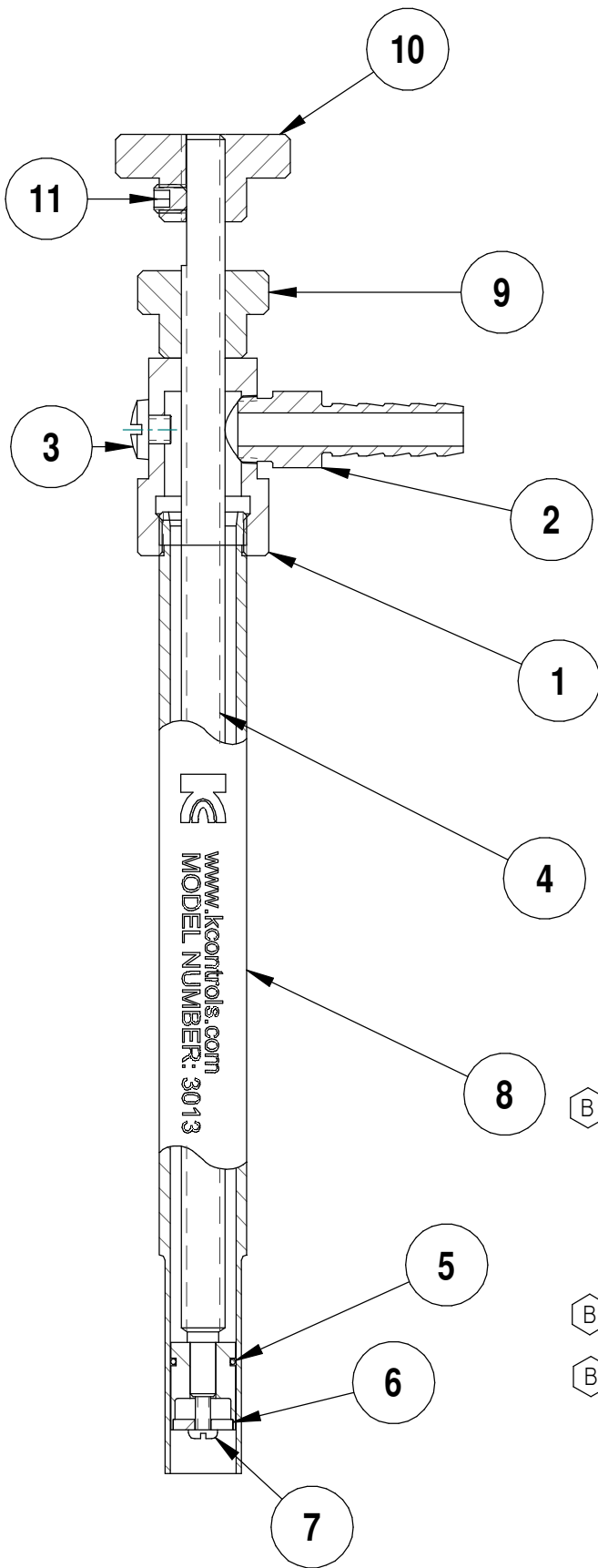


REVISIONS

REV	DESCRIPTION	APP'D/ DATE
-	FIRST RELEASE	01/11/06 JJR
A	CAP, 3013-GC-0005 (B) WAS (A); INCONSEQUENTIAL TEXT CHANGES MADE TO BOM LIST; i.e., SOME -7A- DRAWINGS ARE NOW -GC- DRAWINGS.	10/10/09 JJR
B	REDRAWN ON SOLID EDGE; OBSOLETE ON GENERIC CADD; SOME -2A- AND -GC- DWGS, ARE NOW -SE-; 3013-SE-0006-02 WAS 3013-AC-0006	11/19/09 KMA



11	0035-2A-0004	-	SOCKET SET SCREW, 8-32 x 3/16 S.S.	1
10	0018-2A-0009	A	THUMB NUT, Ø1.0", MODIFIED	1
9	0018-SE-0008	-	THUMB NUT, Ø3/4", KNURLED	1
8	3013-SE-0006-02	B	BARREL (FINISHED)	1
7	0030-2A-0029		PAN HD. M.S., 2-56 x 3/8" S.S.	1
6	3013-SE-2007-20	-	FILTER	1
5	0016-SE-5001		O-RING, BUNA SPECIAL	1
4	3013-SE-2002	-	PISTON/STEM ASS'Y	1
3	0030-SE-0014		BIND HEAD SCREW	1
2	2007-SE-0051	A	HOSE BARB, REWORKED	1
1	3013-SE-0005	B1	CAP, (Ø3/8 FILL GUN w/1/4-20 STEM)	1

- A
- B
- B
- B
- A
- B
- A
- A

ITEM	PART NO.	REV.	DESCRIPTION	QTY.
------	----------	------	-------------	------

**KINEMATICS & CONTROLS CORP.**  
www.kcontrols.com

TOLERANCES (EXCEPT AS NOTED)		TITLE: FILLING GUN, Ø3/8" I.D.	
.XXX±.005	MATERIAL: SEE TABLE		FINAL ASS'Y: 3013-2001
.XX±.010	SCALE: NONE	FINISH: NONE	NEXT ASS'Y: 3013-2001
FRACT.±1/64	DRAWN: JJR		DATE: 1/11/06
ANGLE±1/2°	DATE: 7/8/2012	DWG. NO. 3013-SE-2001	REV. B

**NOTICE!**  
This drawing, including all information contained heron, is the exclusive proprietary property of Kinematics & Controls Corporation. It is disclosed with the understanding it will be retained in confidence, and will neither be duplicated or copied in whole or in part, nor used for any purpose other than that for which disclosed. This drawing is to be returned upon request.